

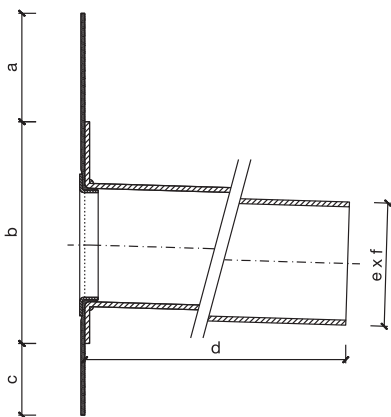


## Square safety overflows TOPWET TWPP

### BASIC INFORMATION

<b>purpose</b>	drainage of flat roofs, terraces and balconies
<b>material</b>	PVC – UV Stabil
<b>Integrated connection sleeve</b>	BIT – modified bitumen strip SBS, PVC – mPVC based foil, TPO – thermoplastic (flexible) polyolefin, EPDM – synthetic rubber foil, PE – polyethylene foil, STE – a sleeve for connecting of waterproofing screed
<b>colour</b>	white
<b>certification</b>	EN 1253-2:2015 - Gullies for buildings - Part 2: Roof drains and floor gullies without trap
<b>manufacturer</b>	TOPWET s.r.o., náměstí Viléma Mrštíka 62, 664 81 Ostrovačice, Czech Republic

### TECHNICAL PARAMETERS



#### Square safety overflows

Type	Dimensions [mm]					
	a	b	c	d	e	f
TWPP 50×100	235	130	135	500	50	100
TWPP 50×150	235	130	135	500	50	150
TWPP 100×100	210	180	110	500	100	100
TWPP 150×150	185	230	85	500	150	150
TWPP 100×300	210	180	110	500	100	300